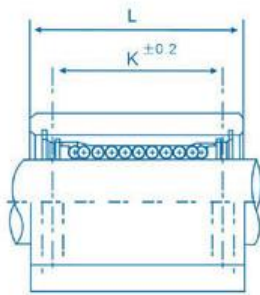
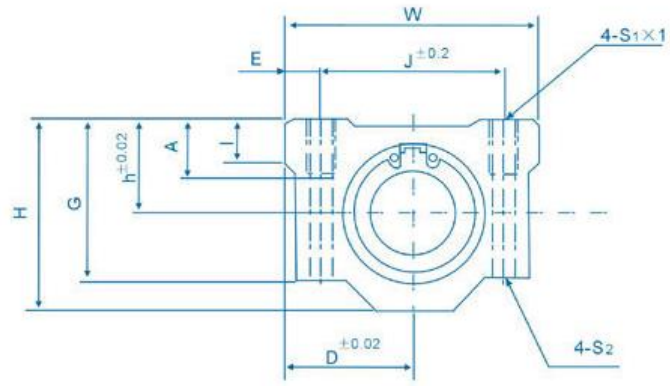
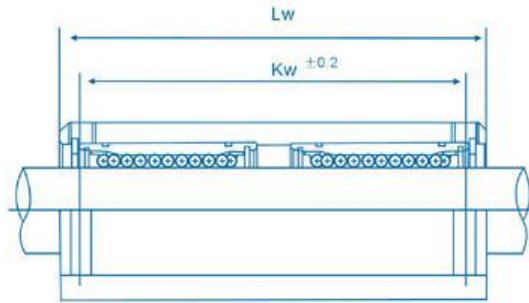


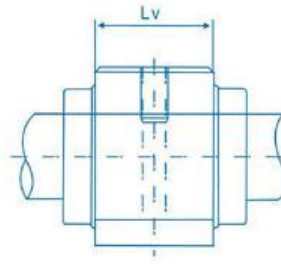
SC Series



SC□N



SC□WN



SC□VN

Standard Type					Long Type					Short Type				
Part number	Installed L/B	Load Ratings		Wgt. g	Part number	Installed L/B	Load Ratings		Wgt. g	Part number	Installed L/B	Load Ratings		Wgt. g
		C(N)	Co (N)				C(N)	Co (N)				C(N)	Co (N)	
SC8UU	LM8UU	260	400	56	SC8WUUN	2×LM8UU	410	800	94	SC8VUUN	LM8UU	260	400	36
SC10UU	LM10UU	370	540	90	SC10WUUN	2×LM10UU	590	1080	147	SC10VUUN	LM10UU	370	540	63
SC12UU	LM12UU	410	590	112	SC12WUUN	2×LM12UU	650	1180	220	SC12VUUN	LM12UU	410	590	74
SC13UU	LM13UU	500	770	123	SC13WUUN	2×LM13UU	800	1540	245	SC13VUUN	LM13UU	500	770	85
SC16UU	LM16UU	770	1170	189	SC16WUUN	2×LM16UU	1230	2340	376	SC16VUUN	LM16UU	770	1170	132
SC20UU	LM20UU	860	1370	237	SC20WUUN	2×LM20UU	1370	2740	476	SC20VUUN	LM20UU	860	1370	170
SC25UU	LM25UU	980	1560	555	SC25WUUN	2×LM25UU	1560	3120	1115	SC25VUUN	LM25UU	980	1560	405
SC30UU	LM30UU	1560	2740	685	SC30WUUN	2×LM30UU	2490	5480	1375	SC30VUUN	LM30UU	1560	2740	495
SC35UU	LM35UU	1660	3130	1100	SC35WUUN	2×LM35UU	2650	6260	2200	SC35VUUN	LM35UU	1660	3130	790
SC40UU	LM40UU	2150	4010	1600	SC40WUUN	2×LM40UU	3440	8020	3200	SC40VUUN	LM40UU	2150	4010	1220
SC50UU	LM50UU	3820	7930	3350	SC50WUUN	2×LM50UU	6110	15860	6720	SC50VUUN	LM50UU	3820	7930	2300

Dimensions (mm)																	Part number
Shaft Dia.	Common										SC		SC□W		SC□V		
	h	D	W	H	G	A	J	E	S ₁ ×I	S ₂	K	L	Kw	Lw	Lv		
Ø 8	11	17	34	22	18	6	24	5	M4×8	Φ3.4	18	30	42	58	15.4	SC8UU	
Ø10	13	20	40	26	21	8	28	6	M5×12	Φ4.3	21	35	46	68	19.5	SC10UU	
Ø12	15	21	42	28	24	7.4	30.5	5.75	M5×12	Φ4.3	26	36	50	70	20.5	SC12UU	
Ø13	15	22	44	30	24.5	8	33	5.5	M5×12	Φ4.3	26	39	50	75	20.5	SC13UU	
Ø16	19	25	50	38.5	32.5	9	36	7	M6×12	Φ5.2	34	44	60	85	23.5	SC16UU	
Ø20	21	27	54	41	35	11	40	7	M6×12	Φ5.2	40	50	70	96	27.4	SC20UU	
Ø25	26	38	76	51.5	41	12	54	11	M8×18	Φ6.8	50	67	100	130	37.4	SC25UU	
Ø30	30	39	78	59.5	49	15	58	10	M8×18	Φ6.8	58	72	110	140	40.9	SC30UU	
Ø35	34	45	90	68	54	18	70	10	M8×18	Φ6.8	60	80	140	155	45.4	SC35UU	
Ø40	40	51	102	78	62	20	80	11	M10×25	Φ8.6	60	90	140	175	56.4	SC40UU	
Ø50	52	61	122	102	80	24	100	11	M10×25	Φ8.6	80	110	160	215	68.9	SC50UU	